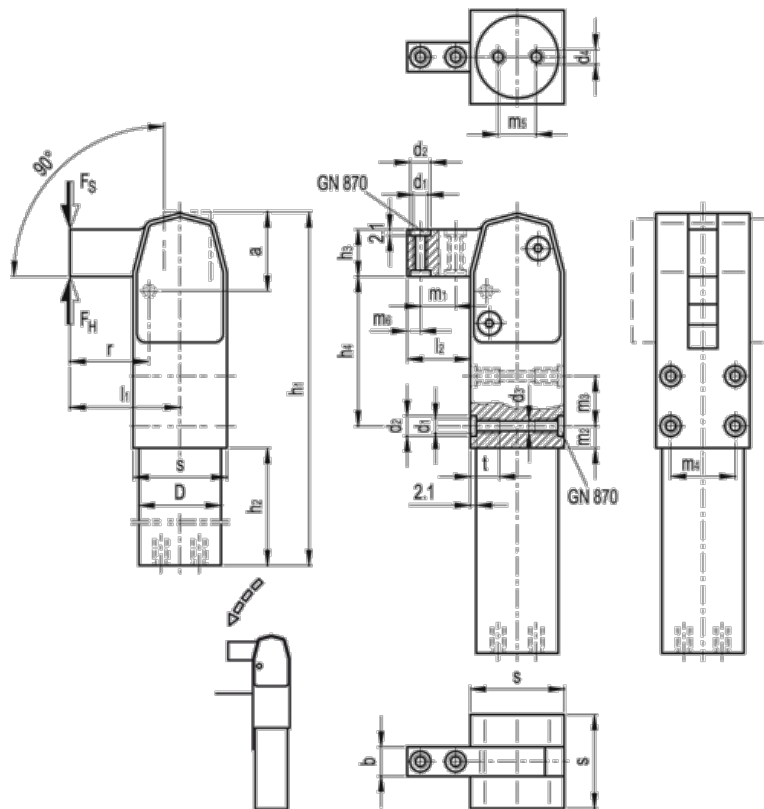


Article number: 201000040

Description: E+G Power clamp  
GN 864-20-BL-FG

## Measures



|                                   |        |                      |        |                          |       |   |
|-----------------------------------|--------|----------------------|--------|--------------------------|-------|---|
| a                                 | = 27   | h1 -0.5              | = 150  | m2                       | = 32  | = |
| b -0.2                            | = 10   | h2                   | = 70   | m3 +/-0.01               | = 13  | = |
| Clamping force at 6 bar (approx.) | = 2220 | h3                   | = 16   | Weight (g)               | = 620 | = |
| d1                                | = M5   | h4                   | = 51.0 | m5                       | =     | = |
| d2 H8                             | = 7    | Holding force FH (N) | = 4070 | m6                       | =     | = |
| d3                                | = 4.2  | l1                   | = 150  | Max clamping moment (Nm) | =     | = |
| d4                                | = M5   | l2                   | = 37.5 | Piston diameter          | =     | = |
| d h8                              | = 28   | m1 +/-0.01           | = 12   | r                        | =     | = |